

STRALIS ATi Rigid



SAFETY

- BUMPER INTEGRATED STEPS FOR EASY WINDSCREEN CLEANING
- 3 POINTS OF CONTACT FOR EASY ENTRY AND EGRESS
 - DISC BRAKES WITH ABS
 - ANTI SLIP REGULATOR (ASR)
- FRONT UNDERRUN PROTECTION



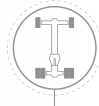
COMFORT

- 2280 MM WIDE CAB WITH INTEGRATED SLEEPER
- PNEUMATICALLY CONTROLLED ADJUSTABLE STEERING COLUMN
- DRIVER AND PASSENGER AIR SUSPENDED FULLY ADJUSTABLE, HEATED SEATS
- BUNK ACCESSIBLE CONTROL MODULE



PRODUCTIVITY

- IMPRESSIVE FUEL EFFICIENCY
 - 12 SPEED AUTOMATED TRANSMISSION FOR OPTIMAL GEAR SELECTION
- AERODYNAMIC CAB STYLING
- IDEAL FOR DISTRIBUTION WORK



HANDLING

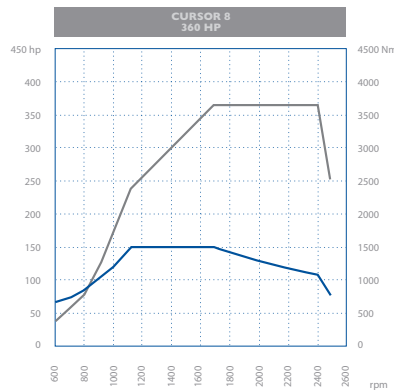
- SUPERIOR TURNING CIRCLE
 - ZF EUROTRONIC II AUTOMATED TRANSMISSION WITH CRUISE CONTROL



P E R F O R M A N C E

8.0 LITRE IVECO CURSOR 8 (EURO 5) ENGINE

360 HP AND 1500 NM OF TORQUE



ENGINE

360 hp IVECO Cursor 8 (EURO 5)

Maximum Output:	360 hp/265 kW	Total Displacement:	8.0 litre
Maximum Torque:	1110 lb ft/1500 Nm @ 1125 rpm	Exhaust:	Horizontal catalytic muffler with integrated SCR catalyser
Emissions Technology:	Selective Catalytic Reduction		

STRALIS ATi Rigid

DIMENSIONS (mm)

	4x2	6x2
WB	6700	6400
GC (Front)	230	230
GC (Rear)	245	227
AF	3423	3130
L	11533	10940
Turning circle*	21930	22000

*For wall to wall, add 1270 mm

CAB DIMENSIONS (mm)

	Low Roof
H (Unladen) (4x2)	2985
H (Unladen) (6x2)	2941

SUSPENSION (mm)

	IVECO 4 Bag (4x2)	IVECO 8 Bag (6x2)
B	-	697.5
C	-	697.5
D (Laden)	1020	1014
D (Unladen)	981	1006

MASS RATINGS

- GVM/GCM 17.1T / 44.0T (4x2)
- GVM/GCM 25.1T / 50.0T (6x2)

*Chassis with sleeper cab, oil and coolant, but no fuel, spare wheel or tyre.

	4x2	6x2
Chassis mass front	4.3 tonnes*	4.3 tonnes*
Chassis mass rear	2.1 tonnes*	3.3 tonnes*
Chassis mass total	6.4 tonnes*	7.6 tonnes*

FRONT AXLE & SUSPENSION

- IVECO 5876

Type: Forged steel I-beam

Capacity: 7.5 tonnes

Suspension Type: Parabolic leaf springs and double acting shock absorbers

Capacity: 7.1 tonnes

REAR AXLE & SUSPENSION

- Meritor MT13-175 single reduction

Capacity: 11.5 tonnes (4x2)

Capacity: 21.0 tonnes (6x2)

Ratios: 3.36

- Driver controlled differential locks

Suspension Type: IVECO 4 Bag (4x2)

- IVECO 4 bag + 4 bag for lazy axle (6x2) with ECAS to control ride height

Capacity: 11.5 tonnes (4x2) / 21.0 tonnes (6x2)

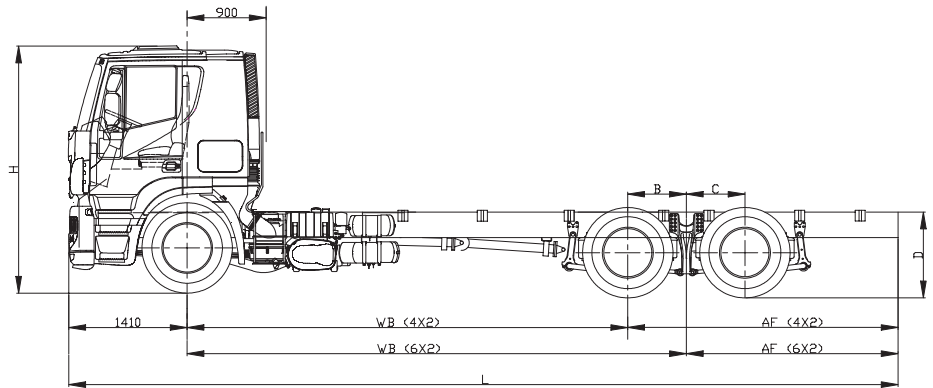
BRAKES

Type: 4-circuit air system

Front: 432 mm Knorr disc brakes

Rear: 432 mm Knorr disc brakes

- Wabco E 4-channel ABS/EBL and ASR
- Semi trailer air connections
- 130 litre aluminium air reservoirs



STEERING

- ZF 8098 power-assisted with gear driven pump
- 460 mm diameter adjustable steering wheel

FUEL SYSTEM

- 1 x 400 litre rectangular aluminium tank (RHS)
- 1 x 55 litre AdBlue tank

TRANSMISSION

- IVECO Eurotronic II I2ASI930 TD automated I2 speed
- Two-pedal operation with automatic or manual shift control

CHASSIS

Type: 304 x 80 x 7.7 mm parallel-section medium tensile steel channel

- Polypropylene bumper with fog and driving lights
- FUPS
- Square end of frame with trailer connections to ROF

ELECTRICAL SYSTEM

Type: 24 volt

- Multiplex computerised CANBUS integrated wiring and systems control network with centralised colour display, controls and diagnostics

Batteries: 2 x 220 amps with automatic isolation switch

Alternator: 24V, 90 amps

WHEELS & TYRES

Wheels: 8.25DC x 22.5 10-stud 335 mm PCD Durabright alloy disc

Front tyres: Michelin* 295/80R22.5

Rear: Michelin* 295/80R22.5

*Or different brand, equivalent model

COOLING SYSTEM

- Radiator frontal area: 930 in²
- Charge air cooler frontal area: 775 in²

DRIVELINE

- Spicer 2000 series compact maintenance free shafts

CAB CONSTRUCTION

- IVECO Active Time 2280 mm wide, all steel, forward control low roof sleeper cab
- Four-point cab mounting system with air suspension and dampers at rear
- Hydraulic cab tilt

CAB FEATURES

- Fully adjustable ISRI self levelling air suspension driver's seat with headrest, armrest, adjustable damper and integrated ap-sash retractor seat belt
- Fixed ISRI passenger seat with lap-sash retractor seat belt
- Active Time sleeper cab with 2020 x 620 mm lower bunk mattress, privacy curtains and cooler box
- 90° opening doors with electronically operated windows
- Radio/CD MP3 player with Bluetooth and steering wheel controls
- Storage lockers and compartments above console and below bunk
- Early Lane Departure Warning (ELDW)
- External sunvisor
- LED Daytime running lights
- Air conditioning
- Expansion module and PTO provision

IVECO

Your partner for sustainable transport