

STRALIS ATi Prime Mover



SAFETY

- DAYTIME RUNNING LIGHTS (DRL)
 - 3 POINTS OF CONTACT FOR EASY ENTRY AND EGRESS
 - DISC BRAKES WITH ABS
 - ANTI SLIP REGULATOR (ASR)
- FRONT UNDERRUN PROTECTION
- ADAPTIVE CRUISE CONTROL (ACC)
 - EARLY LANE DEPARTURE WARNING (ELDW)



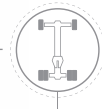
COMFORT

- 2280 MM WIDE CAB WITH INTEGRATED SLEEPER
- PNEUMATICALLY CONTROLLED ADJUSTABLE STEERING COLUMN
- DRIVER AND PASSENGER AIR SUSPENDED FULLY ADJUSTABLE HEATED SEATS
 - BUNK ACCESSIBLE CONTROL MODULE



PRODUCTIVITY

- IMPRESSIVE FUEL EFFICIENCY
 - 12 SPEED AUTOMATED TRANSMISSION FOR OPTIMAL GEAR SELECTION
- AERODYNAMIC CAB STYLING
 - IDEAL FOR SINGLE TRAILER APPLICATIONS



HANDLING

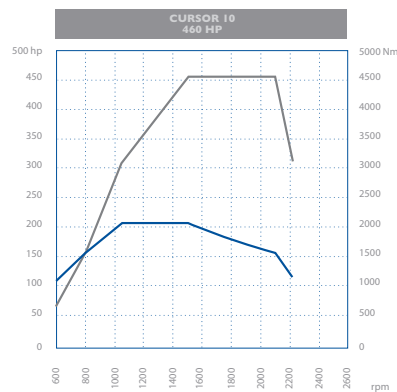
- SUPERIOR TURNING CIRCLE
- ZF EUROTRONIC II AUTOMATED TRANSMISSION WITH CRUISE CONTROL
 - HILL START ASSIST



PERFORMANCE

10.0 LITRE IVECO CURSOR 10 (EURO 5) ENGINE

460 HP AND 2100 NM OF TORQUE



ENGINE

460 hp IVECO Cursor 10 (EURO 5)

Maximum Output:	460 hp/338 kW	Total Displacement:	10.0 litre
Maximum Torque:	1550 lb ft/2100 Nm @ 1125 rpm	Exhaust:	Horizontal catalytic muffler with integrated SCR catalyser
Emissions Technology:	Selective Catalytic Reduction		

STRALIS ATi Prime Mover

CHASSIS DIMENSIONS (mm)

	4x2	6x4
WB	3650	3900
GC (Front)	217	230
GC (Rear)	214	245
AF	1048	1475
L	6076	6815
Turning circle*	12950	15980

*For wall to wall, add 1270 mm

CAB DIMENSIONS (mm)

	Low Roof
H (Unladen) (4x2)	2985
H (Unladen) (6x4)	2941

SUSPENSION (mm)

	IVECO 4 Bag (4x2)	IVECO 8 Bag (6x4)
B	-	697.5
C	-	697.5
D (Laden)	958	1040
D (Unladen)	982	1032

MASS RATINGS

- GVM/GCM 17.1T / 44.0T (4x2)
- GVM/GCM 25.1T / 50.0T (6x4)

	4x2	6x4
Chassis mass front	4.8 tonnes*	4.6 tonnes*
Chassis mass rear	1.9 tonnes*	3.4 tonnes*
Chassis mass total	6.7 tonnes*	8.0 tonnes*

*Chassis with sleeper cab, oil and coolant, but no fuel, spare wheel or tyre.

FRONT AXLE & SUSPENSION

- IVECO 5876

Type: Forged steel I-beam

Capacity: 7.5 tonnes

Suspension Type: Parabolic leaf springs and double acting shock absorbers

Capacity: 7.1 tonnes

REAR AXLE & SUSPENSION

- Meritor MS13-175 single reduction (4x2)
- Meritor MT23-155 single reduction (6x4)

Capacity: 11.5 tonnes (4x2)

Capacity: 21.0 tonnes (6x4)

Ratios: 3.08 (4x2) 3.09 (6x4)

- Driver controlled differential locks

Suspension Type: IVECO 4 Bag (4x2) / IVECO 8 bag (6x4) with ECAS to control ride height

Capacity: 11.5 tonnes (4x2) / 21.0 tonnes (6x4)

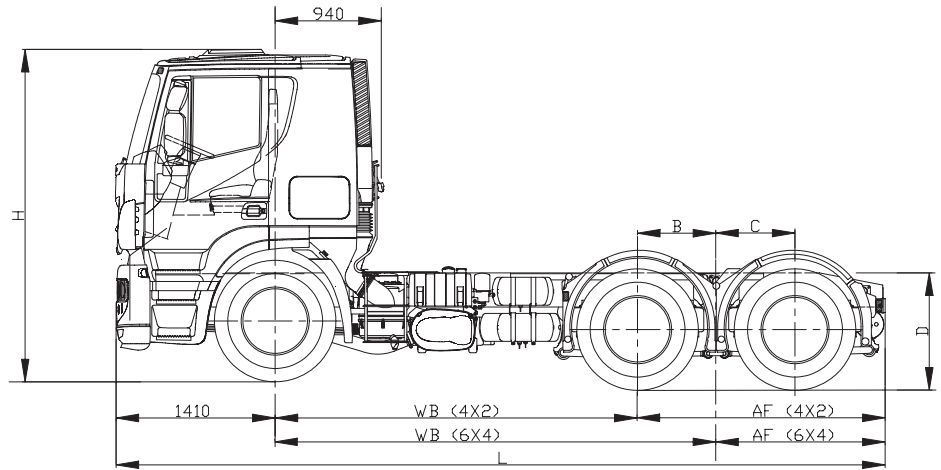
BRAKES

Type: 4-circuit air system

Front: 432 mm Knorr disc brakes

Rear: 432 mm Knorr disc brakes

- Wabco E 4-channel EBS/ABS/ASR and Hill Holder
- Semi trailer air connections
- 130 litre aluminium air reservoirs



STEERING

- ZF 8098 power-assisted with gear driven pump
- 460 mm diameter adjustable steering wheel

FUEL SYSTEM

- 1 x 400 litre rectangular aluminium tank (RHS)
- 1 x 55 litre AdBlue tank

TRANSMISSION

- IVECO Eurotronic II I2ASI930 TD automated 12 speed
- Two-pedal operation with automatic or manual shift control

CHASSIS

Type: 304 x 80 x 7.7 mm parallel-section medium tensile steel channel

- Polypropylene bumper with fog and driving lights
- FUPS
- Tapered end of frame with fifth wheel mounting angles

ELECTRICAL SYSTEM

Type: 24 volt

- Multiplex computerised CANBUS integrated wiring and systems control network with centralised colour display, controls and diagnostics

Batteries: 2 x 220 amps with automatic isolation switch

Alternator: 24V, 90 amps

WHEELS & TYRES

Wheels: 8.25DC x 22.5 10-stud 335 mm PCD Durabright alloy disc

Front tyres: Michelin* 295/80R22.5

Rear: Michelin* 295/80R22.5

*Or different brand, equivalent model

COOLING SYSTEM

- Radiator frontal area: 930 in² (4x2)
- Radiator frontal area: 1051 in² (6x4)
- Charge air cooler frontal area: 775 in²

DRIVELINE

- Spicer 2000 series compact maintenance free shafts

CAB CONSTRUCTION

- IVECO Active Time 2280 mm wide, all steel, forward control low roof sleeper cab
- Four-point cab mounting system with air suspension and dampers at rear
- Hydraulic cab tilt

CAB FEATURES

- Fully adjustable ISRI self levelling air suspension driver's seat with headrest, armrest, adjustable damper and integrated lap-sash retractor seat belt
- Fixed ISRI passenger seat with lap-sash retractor seat belt
- Active Time sleeper cab with 2020 x 620 mm lower bunk mattress, privacy curtains and food cooler box
- 90° opening doors with electronically operated windows
- Radio/CD MP3 player with Bluetooth and steering wheel controls
- Storage lockers and compartments above console and below bunk
- Air conditioning
- External sunvisor
- Expansion module and PTO provision
- LED Daytime Running Lights (DRL)
- Adaptive Cruise Control (ACC)