

TRAKKER 8x4  
AT HOME IN EXTREME TERRAIN



**IVECO**

Your partner for sustainable transport

[www.iveco.co.nz](http://www.iveco.co.nz)

# TRAKKER

## SPECIFICATIONS AD450/500 8X4

### MASS RATINGS

GVM 32.0 tonnes, GCM 50.0 tonnes  
 Chassis Mass Front: 6840Kg  
 Chassis Mass Rear: 3540Kg  
 Chassis Mass total: 10370Kg  
 Chassis with day cab, oil and coolant, but no fuel, driver, spare wheel or tyre.  
 Subject to production tolerances of +/- 2%

### SUSPENSION (mm)

	B	C	D Unladen
IVECO Cantilever	695	695	1129

### CHASSIS DIMENSIONS (mm)

WB**	5720
GC (Front)	337
GC (Rear)	310
AF	2192
L	9482
Turning circle*	19150

\* For wall to wall, add 1300mm.

\*\* Optional 6520mm wheelbase

### CAB DIMENSIONS (mm)

	H
Low roof Day	3150

### ENGINE

IVECO Cursor 13 E5 – SCR (Selective Catalytic Reduction)  
**Type:** Turbo charged, after-cooled, electronically direct injected four stroke diesel with IVECO Turbo Brake (ITB)  
**Number of cylinders:** 6  
**RAC HP rating:** 67.8  
**Total displacement:** 12.9 litres  
**Maximum output:** 450hp/336kw @ 1900rpm  
**Maximum torque:** 1622lb ft/2200Nm @ 1000rpm  
**Optional:** Horizontal catalytic muffler with SCR catalyzer integrated into exhaust  
**Optional engine rating:** 500hp/363kw @ 1900 rpm | 700lb ft/2300Nm @ 1000rpm

### TRANSMISSION

**Standard:** ZF ECOSHIFT 16S2220TO  
 16 speed manual.  
 (Rev: 1.2.92/10.80:1, 1st 13.80:1, 16th 0.84:1)  
**Option:** IVECO Eurotronic II 12AS2330TO  
 Automated 12-speed overdrive  
 Two-pedal operation with automatic or manual shift control  
 (Rev: 1.1.41/8.88:1, 1st 12.33:1, 12th 0.78)  
 With oil cooler

### REAR AXLE

IVECO 453291 hub reduction – **Capacity:** 21.0 tonnes, **Ratios:** 4.69:1 standard; optional: 4.23. Driver controlled differential locks

### REAR SUSPENSION

IVECO Cantilever  
**Capacity:** 21.0 tonnes

### CLUTCH

Self-adjusting single-plate with air assisted hydraulic actuation, pull type. **Diameter:** 432mm

### FRONT AXLES

IVECO 5886 – **Type:** Forged steel I-beam, **Capacity:** 16.0 tonnes

### FRONT SUSPENSION

Two 1900mm x 90mm parabolic leaf springs with rubber bump stops, anti-roll bar  
**Capacity:** 8.0 tonnes

### BRAKES

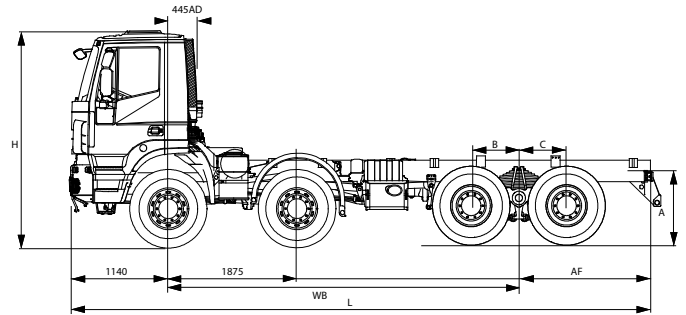
**Type:** 2-circuit air system  
**Front:** Disc brakes  
**Diameter:** 432mm  
**Rear:** Drum brakes  
**Diameter:** 410mm  
 6 x 20-litre aluminium tanks  
 Desiccant type air dryer/pressure regulator  
 Trailer air connections  
 Wabco ABS/EBL and ASR

### STEERING

Power-assisted with gear-driven pump  
 510mm diameter adjustable steering wheel

### FUEL SYSTEM

Rectangular steel tanks  
 1 x 300 litres (RHS)  
 1 x 55 litres of AdBlue  
 Fuel filter



### CHASSIS

**Type:** 289 x 80 x 7.7mm C-section rails with riveted and bolted cross members.  
**Yield strength:** 490 MPa  
 Steel bumper  
 Square end of frame

### ELECTRICAL SYSTEM

**Type:** 24-Volt, negative to earth  
 Multiplex computerised CANBUS integrated wiring and systems control network with centralised colour display, controls and diagnostics  
**Batteries:** 2 x 220 amps SAE cold cranking current per battery, with manual isolation switch  
**Alternator:** 28V, 90 amps  
**Headlamps:** 70/75 watt  
 Semi-trailer HD ISO 7-pin socket, 12 Volt power outlet in dash, Trailer connections

### WHEELS AND TYRES

335mm PCD 9.0DC x 22.5 steel disc wheels  
 Tyres: 315/80R22.5. No spare wheel or tyre.

### DRIVELINE

Spicer maintenance free shafts

### CAB CONSTRUCTION

IVECO Active Day 2280mm wide, all steel, forward control day cab with low roof. 1700mm BBC  
 Four-point cab mounting system helical sprung suspension and dampers. Hydraulic cab tilt to 60°  
**Option:** IVECO Active Time low-roof sleeper cab.

### FEATURES

Active Day Cab: Interior incorporating, Heated air suspended 3-way adjustable driver's seat with pneumatic adjustable lumbar support, and inertia reel belt. Static passenger seat 2-way adjustable with inertia reel belt. Soft feel dashboard with multi-functional steering wheel incorporating touch button menu controls for the real time digital dash display. Dual scale speedometer. All gauge functions monitored using international symbols. Left and right hand entry assist handles. Adjustable steering column, right stalk operating engine brake, cruise control, variable speed limiter and OPTIONAL Eurotronic gear change. Left of the steering column is the dash mounted OPTIONAL Eurotronic gearbox controls for automatic and semiautomatic modes, neutral, reverse and low speed manoeuvring mode (forward and reverse). Park brake with door open brake off audible alarm, mobile phone holder. Electronic Pto switch and cab preparation. FMS connectors. Overhead console for CB radio. Two corner spot lamps illuminating cab access. Courtesy and map reading lights. Rear bulk head storage and writing pad. Door roller blinds.

### ACCESSORIES

Two internal sun visors with shade cloth blinds on side windows. Dark grey acrylic exterior sunvisor. Aerodynamic powered and heated mirrors, convex spotter mirror on each side and a kerb view mirror on the passenger side. Manually controlled air conditioning. Heater demister with 4-speed fan. Demist ducts to door glasses. Chassis mounted air horn. IVECO Colour Display (ICD) instrument panel cluster with white scales and dark background. Electronic speedometer and tachometer, fuel level gauge, engine coolant temperature gauge, and ICD displays for air pressure, system voltage, engine oil level, pressure and temperature, engine coolant temperature. Warning lights in ICD for power divider, difflocks, park brake, engine brake, high beam, fog and driving lights, parking lights, turn signal, hazard lights, low air pressure, brake system fault, park brake, mirror heaters. The ICD also gives information on Clock and alarm settings, trip data and trip computer, diagnostics, mirror adjustments, Eurotronic transmission functions, cruise control, and Adblue level. Air controls mounted in centre dash console for park brake, inter-axle locks and cross-diff locks. Fully adjustable steering column with floor release switch. LED daytime running lights. IVECONNECT integrated infotainment, telephone and navigation system in a practical 7" touch screen interface on the dashboard. CD/MP3 player; two USB inputs (iPod compatible) Bluetooth SD card reader (SD Card available as an option), and can include rear camera as an option.

# IVECO

Your partner for sustainable transport

www.iveco.co.nz