

TRAKKER 4X4 AT HOME IN EXTREME TERRAIN



AD360

IVECO

Your partner for sustainable transport

TRAKKER

SPECIFICATIONS AD360 4X4

MASS RATINGS

GVM 18.0 tonnes. GCM 44.0* tonnes.

*higher on application

WB	3800	4200	4500
Weight (Front axle)	4835	4860	4870
Weight (Rear axle)	2435	2460	2530
Total Weight**	7270	7320	7400

**Weight with day cab, oil and coolant, but no fuel, spare wheel or tyre.

CHASSIS DIMENSIONS (mm)

WB	3800	4200	4500
AF	1195	1195	1780
L	6435	6835	7720
D (Unladen)	1253	1251	1259
H (Unladen)	3247	3247	3247
GC (Front)	380	380	380
GC (Rear)	316	316	316
Turning diameter kerb to kerb*	15700	16900	17700

*For wall to wall, add 1200mm.

ENGINE

IVECO Cursor 8 E5 – SCR (Selective Catalytic Reduction)

Type: Turbo charged, after-cooled, electronically direct injected four stroke diesel with IVECO Turbo Brake (ITB)

Number of cylinders: 6

Total displacement: 7.790 litres

Maximum output: 360hp/265kw @ 2400rpm

Maximum torque: 1106lb ft/1500Nm @ 1125-1687rpm

TRANSMISSION

ZF 16 speed manual 16S 1620TD

Optional:

IVECO EUROTRONIC II 12AS1930TD

Automated 12 speed

Two pedal operation with automatic or manual shift control

REAR AXLE

IVECO - RA - 45 1391/2D - H.R. (fitam 2D) Hubs reduction – **Capacity:** 13.0 tonnes, **Ratios:** 4.67

Driver controlled differential locks

REAR SUSPENSION

IVECO parabolic with reinforced rear anti-roll bar

Double acting telescopic shock absorbers

Capacity: 13.0 tonnes

CLUTCH

Self-adjusting single-plate with air assisted hydraulic actuation, pull type. **Diameter:** 432mm

FRONT AXLE

IVECO 5985 with hub reduction – **Type:** Forged steel I-beam, **Capacity:** 8.0 tonnes

FRONT SUSPENSION

Two 1900mm x 90mm parabolic leaf springs with rubber bump stops, 45mm diameter anti-roll bar and double acting telescopic shock absorbers

Capacity: 8.0 tonnes

BRAKES

Type: 2-circuit air system

Front: Drum brakes

Diameter: 410mm

Rear: Drum brakes

Diameter: 410mm

4 Aluminum air tanks: 20 litre each

Desiccant type air dryer/pressure regulator

Semi-trailer air connections

Wabco ABS/EBL and ASR

STEERING

Power-assisted with gear-driven pump

510mm diameter adjustable steering wheel

FUEL SYSTEM

Rectangular steel tanks

1 x 300 litres (RHS)

1 x 40 of AdBlue

Fuel filter

CHASSIS

Type: 289 x 80 x 7.7mm double joggle medium-tensile steel channel

Yield strength: 490 MPa

Steel bumper with Fog & Driving lights

Square end of frame

ELECTRICAL SYSTEM

Type: 24-Volt, negative to earth

Multiplex computerised CANBUS integrated wiring and systems control network with centralised colour display, controls and diagnostics

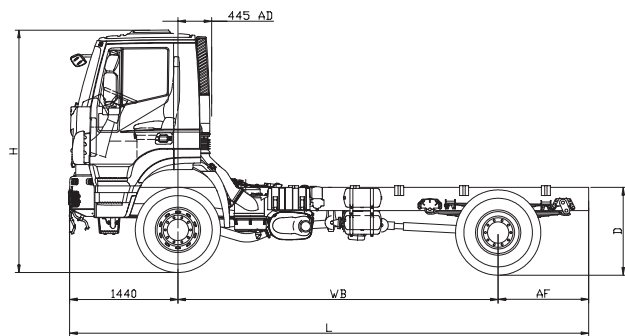
Batteries: 2 x 220 amps SAE cold cranking current per battery, with manual isolation switch.

Alternator: 28V, 90 amps

Headlamps: 70/75 watt

Rear flood light, Semi-trailer HD ISO 7-pin socket, 12 Volt power outlet in dash, Trailer connections

70 Watt fog and driving lamps, Tail light brackets



WHEELS AND TYRES

Front wheels: 335mm PCD steel disc wheels, 11.75DC x 22.5

Rear wheels: 335mm PCD steel disc wheels, 9.0DC x 22.5

Front tyres: Michelin* XZY3, 385/65R22.5

Rear tyres: Michelin* XDY3, 315/80R22.5

*or different brand, equivalent model

DRIVELINE

Spicer maintenance free shafts

TRANSFER BOX

Type: IVECO TC 1800 3 shafts

On-road 1.00:1

Off-road 1.60:1

CAB CONSTRUCTION

IVECO Active day cab 2280mm wide, all steel, forward control with low roof and rear windows.

Four-point cab mounting system with air suspension and dampers on the front and rear. Hydraulic cab tilt to 60°

FEATURES

Active Day Cab: Interior incorporating. Heated air suspended 3-way adjustable driver's seat with pneumatic adjustable lumbar support, and inertia reel belt. Static passenger seat 2-way adjustable with inertia reel belt. Soft feel dashboard with multi-functional steering wheel incorporating touch button menu controls for the real time digital dash display. Dual scale speedometer. All gauge functions monitored using international symbols. Left and right hand entry assist handles. Adjustable steering column, left stalk operating the indicators, main beam, windscreen wash wipe, right stalk operating Eurotronic gear change, engine brake, cruise control and variable speed limiter. Left of the steering column is the dash mounted Eurotronic gearbox controls for automatic and semi-automatic modes, neutral, reverse and low speed manoeuvring mode (forward and reverse). Park brake with door open brake off audible alarm, mobile phone holder. Electronic Pto switch and cab preparation. FMS connectors. Overhead console for CB radio. Remote control radio/ CD, aerial and speakers. Two corner spot lamps illuminating cab access. Courtesy and map reading lights. Rear bulk head storage and writing pad. Door roller blinds.

ACCESSORIES

Two internal sun visors with shade cloth blinds on side windows. Dark grey acrylic exterior sunvisor. Aerodynamic powered and heated mirrors, convex spotter mirror on each side and a kerb view mirror on the passenger side. Manually controlled air conditioning. Heater demister with 4-speed fan. Demist ducts to door glasses. Dual roof-mounted air horns. IVECO Colour Display (ICD) instrument panel. Cluster with white scales and dark background. Electronic speedometer and tachometer; fuel level gauge, engine coolant temperature gauge, and ICD displays for air pressure, system voltage, engine oil level, pressure and temperature, engine coolant temperature. Warning lights in ICD for power divider, diffllocks, park brake, engine brake, high beam, fog and driving lights, parking lights, turn signal, hazard lights, low air pressure, brake system fault, park brake, mirror heaters. The ICD also gives information on Hi-Fi settings and control, Clock and alarm settings, trip data and trip computer, diagnostics, mirror adjustments and Eurotronic transmission, functions. Cruise control. AdBlue level. Air controls mounted in centre dash console for park brake, inter-axle locks and cross-diff locks. Gear control lever on steering column. Fully adjustable steering column with floor release switch.

FINISH

White painted cab with grey steps and fenders. Cab treated with anti-corrosion protection and metallic joints treated with vinyl sealant. Anti scratch treatment on cab underbody.

IVECO

Your partner for sustainable transport