

EURO CARGO MLI 20  
PERFECT IN EVERY SITUATION



**IVECO**

Your partner for sustainable transport

# EURO CARGO SPECIFICATIONS ML120

## DIMENSIONS (mm)

Cab	Day	Sleeper
WVB	5175	5175
AF	2685	2685
L	9232	9232
CF	7475	7015
H(unladen)	2692	2686
D(unladen)	1092	1098
Turning circle* (kerb to kerb)	17740	17740

\* For wall to wall, add 1180 mm

## MASS (kg)

Cab	Day	Sleeper
Kerb mass front axle	2990	3135
Kerb mass rear axle	1450	1455
Kerb mass total**	4440	4590
GVM	12000	12000
GCM	N/A	N/A

\*\* Approximate only with low roof cab chassis with oil and coolant, full fuel without driver

## ENGINE

- IVECO Tector EEV (5.88 litre 6 cylinder)

**Type:** High pressure common rail electronic injection, turbo charged and intercooled 24 valve four stroke diesel

**Maximum Output:** 250 hp (185 kW) @ 2,500 rpm

**Maximum Torque:** 850 Nm (627 lb/ft) @ 1,250 rpm

**Governed Speed:** 2,700 rpm

**Optional Engine:** Euro 6 SCR (Selective Catalytic Reduction)

## TRANSMISSION

ZF 6S800 six-speed manual sychromesh transmission

1st 6.58:1, 2nd 3.60:1, 3rd 2.12:1, 4th 1.39:1, 5th 1.00:1, 6th .78:1, reverse 6.08:1

**Optional Transmissions:** ZF 6AS800 automated transmission

Euro 6 - ZF 9S75 TO, 9 speed manual transmission

## STEERING

**Type:** Power-assisted with gear-driven pump

Tilt-adjustable 470 mm diameter steering wheel

## CLUTCH

**Type:** Single dry plate with mechanical / hydraulic release

**Diameter:** 395 mm

## FRONT AXLE & SUSPENSION

IVECO 5860

**Capacity:** 4,480 kg

**Suspension:** Parabolic springs with dual-action hydraulic shock absorbers and stabiliser bar fitted

## REAR AXLE & SUSPENSION

Meritor MS10-144

Differential lock

**Capacity:** 8,480 kg

**Ratio:** 4.111:1

**Suspension:** Two bellows, rear air bag suspension with dual shock absorbers. Electronically Controlled Air Suspension (ECAS) including dual-rear levelling valves

## CHASSIS

**Type:** Bolted parallel channel

**Size:** 253.4 x 70 x 6.7 mm

**Width:** 853 mm

## BRAKES

- 2 circuit air system with ABS, ASR, ESP
- 377 x 45 mm ventilated front/rear disc brakes with floating calipers
- Spring-actuated park brake acting on rear wheels
- Exhaust brake
- Air dryer

## FUEL SYSTEM

- 1 x 280 litre square alloy tank
- Fuel prefilter with water separator
- 1 x 25 litre tank of AdBlue

## ELECTRICAL

**Type:** 24V

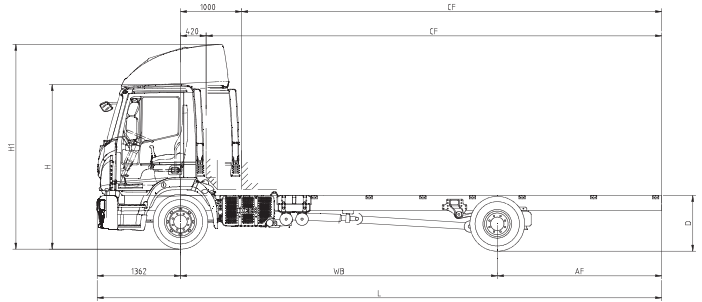
24V-12V converter in cab

**Alternator capacity:** 28V, 90 amp

**Starter:** 24V, 4.0 kW

**Battery:** 2 x 12V - 170 Ah

Automatic battery isolation switch



## WHEELS & TYRES

**Stud and pattern:** M22, 8 x 275 mm PCD steel disc rims

**Rim size:** 19.5" x 6.75"

**Tyres:** 285/70R19.5 tubeless radial

## CAB

**Type:** Forward-control (MLC) Day cab treated with anti corrosion protection

**Option:** (MLL) Sleeper cab low roof with bunk, curtains, reading lamp, roof hatch and two internal and one external lockers

**Bunk dimensions:** 1900 x 605 x 95 mm

Cab colour bumper

**Front Cab Suspension:** Two coil springs, shock absorbers and torsion bar

**Rear Cab Suspension:** Two units with coils springs. Hydraulic cab tilt to 57 degrees

## FEATURES

- ECE R29 compliant cab
- DRL (Daytime Running Lights)
- Sun filter windscreen
- 2 x USB plugs
- Cards/coins holder
- Expansion module
- Lift-up front panel for daily checks
- Fully-adjustable Isringhausen driver's air-suspension seat with headrest
- Dual bench-passenger seat with fold-down central oddments tray
- 2 x lap-sash seat belts for outboard positions, 1 x lap seat belt for centre position
- Bluetooth compatible Radio/CD
- 90-degree opening doors
- Remote Central Locking
- Cruise control
- Stowage compartment in overhead console, both doors and rear cab wall
- 2-speed wipers with intermittent control
- Courtesy and map lamps
- Electric horn
- 12-volt power socket (10 amp)
- Electrically operated driver and passenger side windows
- Aerodynamic, remote-control heated mirrors with a convex, spotter and over-the-kerb mirror on the left-hand side
- Air conditioning
- Roof spoiler
- Fleet Management System
- External sunvisor
- Electric cab tilt

## OPTIONS:

- Euro 6 standards - Driver airbag and bluetooth radio with multifunton steering wheel
- Euro 6 optional safety package - LDW (lane departure warning), ACC (Adaptive cruise control), Hill Holder, AEBS (Advanced Emergency braking system)