

DAILY 50C17



PRODUCTIVITY

- FUEL TANK SETUP READY FOR BODYBUILDERS
- HANDSFREE AND BLUETOOTH PHONE CAPABILITIES
- FLAT, NON-RIVETED CHASSIS
- 40,000 KM ENGINE OIL INTERVALS



SAFETY

- STABILITY CONTROL
- DRIVER, PASSENGER AND CURTAIN AIRBAGS
- HILL HOLDER
- TRAILER SWAY MITIGATION
- FRONT AND REAR DISC BRAKES



STRENGTH

- SOLID STEEL C-SECTION TRUCK CHASSIS
- HEAVY DUTY CROSS MEMBERS
- HIGH AXLE CAPACITIES



COMFORT

- INDEPENDENT FRONT SUSPENSION WITH TORSION BAR
- PARABOLIC REAR SUSPENSION
- STANDARD SEATS
- CAR LIKE DRIVEABILITY



VERSATILITY

- OPTIONAL AUTOMATIC TORQUE CONVERTER TRANSMISSION
- FACTORY FITTED BODY MOUNTS
- OPTIONAL DRIVER CONTROLLED DIFF LOCK
- OPTION OF ELECTRONICALLY CONTROLLED REAR AIR SUSPENSION

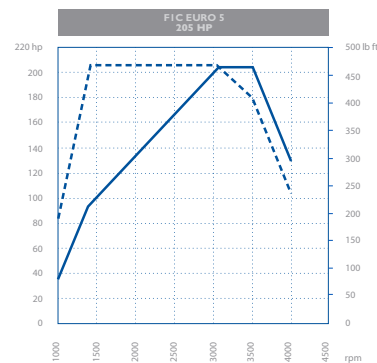
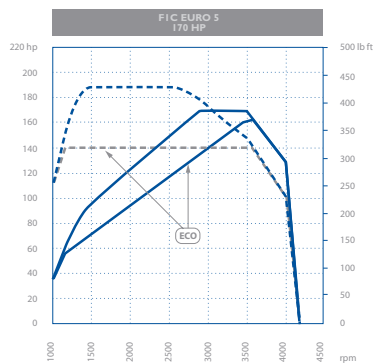
*Daily Cab Chassis model image shown with optional tray



PERFORMANCE

3.0 LITRE TURBO DIESEL ENGINE

UP TO 205 HP AND 347 LB FT OF TORQUE



ENGINE

170 hp: IVECO FIC (EURO 5) – 4 stroke diesel with direct-injection, Variable Geometry Turbocharger (VGT) and intercooler.

Optional: 205 hp: IVECO FIC (EURO 5) – 4 stroke diesel with direct-injection, Twin Stage Turbo (TST) and intercooler.

Maximum Output: 170 hp/125 kW @ 2900-3500 rpm
205 hp/150 kW @ 3100-3500 rpm

Total Displacement:

FIC: 3.0 litre

Maximum Torque: 317 lb ft/430 Nm @ 1650-2500 rpm
347 lb ft/470 Nm @ 1400-3000 rpm

Exhaust:

Muffler horizontally positioned on the right side and tailpipe located mid-way down right side of vehicle

Emissions Technology: Exhaust Gas Recirculation system

DAILY 50C17

DIMENSIONS (mm)

X	Wheelbase	3750	4350
K	Overall length	6553	7373
H	Overall height <i>unladen</i>	2270	2263
	Front track	1724	1724
	Rear track	1542	1542
T	Unladen frame height at end of frame	792	778
	Front ground clearance	196	196
	Rear ground clearance	177	177
Y	Rear overhang	1795	2015
	Turning circle: kerb to kerb	13466	15348
	Turning circle: wall to wall	14090	15976

BODY DIMENSIONS (mm)

Maximum body width	2350	2350
--------------------	------	------

MASS (kg)

GVM/GCM	5200/8700	5200/8700
Front axle capacity	2100	2100
Rear axle capacity	3700	3700
Kerb mass front axle	1412	1439
Kerb mass rear axle	649	657
Kerb mass total	2061	2096
Payload capacity	3139	3104

Kerb masses are with minimal fuel, spare wheel, tools and no driver.

FRONT AXLE & SUSPENSION

- IVECO 5819

Capacity: 2100 kg

Suspension Type: Independent with adjustable steel torsion bar

Capacity: 2100 kg

REAR AXLE & SUSPENSION

- IVECO 450511 full-floating single reduction

Capacity: 3700 kg

Suspension Type: Independent with adjustable steel torsion bar

Capacity: 3700 kg

Rear axle ratio: 3.91:1 with manual transmission

- 3.60:1 with automatic transmission

Optional: Driver Controlled Differential Lock

BRAKES

Type: ABS + ASR 9 with EBD (Electronic Brake force Distribution) and Hill Holder

Front / Diameter: Ventilated disc brakes / 290 mm (28 mm thick)

Rear / Diameter: Disc brakes / 290 mm (22 mm thick)

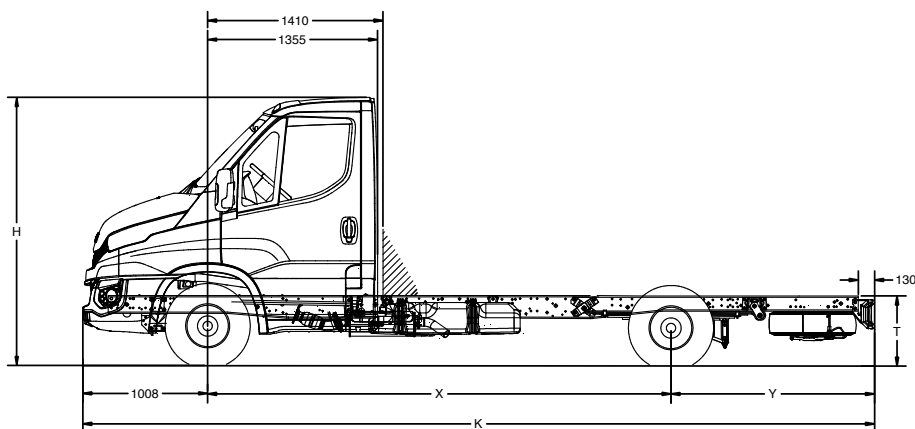
Parking brake: Manual brake operating on rear axle

Service brakes: Dual circuit with vacuum servo

- Pad wear warning light for front and rear brakes

ESP – Electronic Stability Programme:

(includes ASR – Anti Slip Regulator or Traction Control, HBA – Hydraulic Brake Assist, Hill Holder, LAC – Adaptive Load Control, TSM – Trailer Sway Mitigation, HRB – Hydraulic Rear Wheel Boost, HFC – Hydraulic Fading Compensation, RMI and ROM – Roll Movement Intervention and Roll Over Mitigation)



STEERING

- Power steering
- 390 mm diameter steering wheel with telescopic adjustment

FUEL SYSTEM

- 70 litres with fuel cap location on passenger side

TRANSMISSION

- Six speed synchromesh overdrive manual

Type: 2840.6 OD

1st 5.375, 2nd 3.154, 3rd 2.041, 4th 1.365, 5th 1.000, 6th 0.791 OD, Rev.4.838

- 8 Speed ZF Torque Converter Automatic (Hi-Matic)

Type: 8V470A

1st 4.696, 2nd 3.130, 3rd 2.104, 4th 1.667, 5th 1.285, 6th 1.000, 7th 0.839 OD, 8th 0.667 DOD, Rev. 3.297

CLUTCH

- Single dry plate
- Hydraulically controlled

Diameter: 280 mm

CHASSIS

Type: C Section steel longitudinal side members with tapered ends and tubular cross members

ELECTRICAL SYSTEM

Battery: 12 Volt – 110 Ah

Smart Alternator: 12 Volt – 180 A

- Trailer wiring to rear of chassis

WHEELS & TYRES

Wheels: Steel 5J x R16

Tyres: 195/75 R16

CABIN FEATURES

- Driver, passenger and curtain airbags with seat belt pretensioners
- Standard seats
- Dual bench passenger seats with headrests
- Electric windows
- Exterior mirror with integrated wide angle and direction indicators, heated and electronically adjustable

- Overhead console with storage shelf and space for additional equipment
- Large dual storage pockets in doors
- Document storage compartment
- Body builder connections
- Additional in-dash storage
- Automatic climate control
- Daytime running lights

DASHBOARD

- Analogue electronic speedometer
- Fuel level indicator with reserve light indicator
- Coolant temperature indicator with high temperature indicator light
- Instrument light dimmer switch
- Dash-mounted gear lever
- 3 storage areas on top of dash
- LCD Display Panel includes: odometer, trip computer with distance, time, fuel consumption etc; headlamp orientation, clock, speed limit exceeding, external temperature and service indicator
- IVECONNECT multimedia 7" touch screen with CD/MP3 player, iPod compatible, Bluetooth and SD card reader
- Multifunction steering wheel

SECURITY

- Central locking with remote control
- Steering lock

OPTIONS

- Heated and suspended driver's seat and single passenger seat

IVECO

Your partner for sustainable transport