

EURO CARGO 4X4
NO ROAD – NO PROBLEM



MLI50E28W

IVECO

Your partner for sustainable transport

EURO CARGO 4X4

SPECIFICATIONS ML150E28W 4X4

CHASSIS DIMENSIONS (mm)

CAB	SLEEPER	DAY	SLEEPER	DAY
H	3003	3003	3003	3003
W	2450	2450	2450	2450
WB	3915	3915	4150	4150
AF	1358	1358	1935	1935
CF	4288	4633	5100	5445
AC	985	640	985	640
L	6665	6665	7477	7477
Turning circle*	16720	16720	17540	17540
U	337	337	337	337

*Wall-to-wall.

EURO CARGO TARE WEIGHTS

ML150E28W	SLEEPER	DAY	SLEEPER	DAY
Wheelbase	3915mm	3915mm	4150mm	4150mm
Front Tare	3810kg	3700kg	3990kg	3880kg
Rear Tare	1975kg	1955kg	2080kg	2060kg
Total Tare	5785kg	5655kg	6070kg	5940kg
GVM	15000kg	15000kg	15000kg	15000kg
GCM*	15000kg	15000kg	15000kg	15000kg

All weights with oil, coolant, spare wheel and tyre but not fuel. Subject to manufacturer's tolerance of + or -2%.

*Higher GCM based on Application Approval and fitment of drawbar pack.

ENGINE

IVECO Tector F4A E28

Type: Turbocharged and intercooled 24-valve four-stroke diesel with high-pressure common-rail electronic injection

Number of cylinders: 6

Displacement: 5.88 litres

Bore x stroke: 102 x 120mm

Compression ratio: 17:1

Maximum output: 205 kW (279 hp) @ 2,700 rpm

Maximum torque: 950 Nm (700 lb/ft) @ 1,250-2,100 rpm

Governed speed: 2,500 rpm

RAC hp rating: 38.7

Oil capacity: 11.6 litres

SCR - Selective Catalytic Reduction

Emissions standard: EURO 5

TRANSMISSION

Eaton ZF 6S-1000 six-speed manual synchromesh transmission cable gear shift

1st: 6.75:1, **2nd:** 3.60:1, **3rd:** 2.12:1, **4th:** 1.39:1, **5th:** 1.00:1, **6th:** 0.78:1, **Reverse:** 6.06:1

CLUTCH

Type: Single-plate asbestos-free push type with mechanical over hydraulic assistance

Diameter: 395mm

Lining area: 773cm²

FRONT AXLE

IVECO 5956 – **Type:** Hub reduction wide track drive axle with differential lock, **Capacity:** 5,700kg

REAR AXLE

IVECO 451146/1 – **Type:** Hub reduction drive axle with differential lock, **Capacity:** 10,000kg **Ratio:** 5.72:1

FRONT SUSPENSION

Type: Multileaf

Multileaf springs with dual-action hydraulic shock absorbers and anti-roll bar fitted

REAR SUSPENSION

Type: Multileaf

Multileaf springs with dual-action hydraulic shock absorbers and anti-roll bar

TRANSFER CASE

IVECO TC 850

Low speed ratio: 1.94:1

High speed ratio: 0.99:1, With differential lock

Torque split front: 33%

Torque split rear: 67%

CHASSIS

Type: Bolted and riveted parallel channel. **Size:** 252 x 70 x 6mm external. **Width:** 852mm.

Yield strength: 490 MPa. Heavy-duty front tow hook

BRAKES

Full air-brake system with two independent circuits, 381 x 178mm drum brakes, **ABS:** Four-channel system (ABS6), Spring-actuated park brake acting on rear wheels, Exhaust brake (three mode), Air dryer, 360 cc air compressor (water cooled)

STEERING

Type: Integral power-assisted circulating ball with gear-driven pump and integral reservoir

Ratio: 20:4

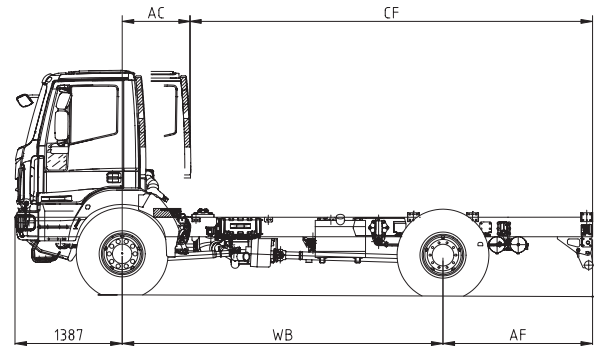
Tilt-adjustable 470mm diameter steering wheel. Angular 17°, Vertical 50mm

FUEL SYSTEM

Nominal tank capacity: 200 litres with locking fuel cap

Fuel prefilter with water separator fitted to chassis. 180 litres with 4150mm wheelbase

Ad Blue Tank: 25 litres, with locking cap



ELECTRICAL

Type: 24V negative to earth

24V-12V converter in cab

Alternator capacity: 28V, 90 amp

Starter: 24V, 4.0 kW

Battery: 2 x 12V 170 Ah

Automatic battery isolation switch

WHEELS AND TYRES

Wheels: One-piece steel disc rims

Stud and pattern: M22, 8 x 275mm PCD

Disc size: 22.5" x 7.5"

Tyres: 11R22.5 tubeless radial

Option: 395/80R22.5 single tyres all round, mounted on 20" x 10"

one piece steel disc wheels – 90km/h speed limited

Tyre minimum rating: 146/143

CAB

Type: Forward-control (MLC) day cab

Construction: Pressed two-side zinc-coated steel on selected outer panels with electro-cathodic corrosion protection. PP front panels and fenders

Steel front bumper

Four-point cab suspension

Front: Two coil springs, shock absorbers and torsion bar

Rear: Two units with coils springs

Hydraulic cab tilt to 60°

FEATURES

- External sunvisor
- Lift-up front panel for daily level checks
- Fully-adjustable Isringhausen driver's air-suspension seat with headrest and armrest
- Dual bench-passenger seat with fold-down central oddments tray
- 2 x lap-sash seat belts for outboard positions, 1 x lap seat belt for centre position
- AM/FM radio CD player
- 90-degree opening doors
- Remote central locking and desmodromic type keys
- Stowage compartment in overhead console, both doors and rear cab wall
- 2-speed wipers with intermittent control
- Courtesy and map lamps
- Electric horn
- Electrically operated driver and passenger side windows
- Aerodynamic, remote-control heated mirrors with a convex, spotter and over-the-kerb mirror on the left-hand side
- Air conditioning
- Cruise control
- Option 1
- (MLL) Sleeper cabin
- ADR-compliant, fully-finished sleeper cab with bunk (option to remove), curtains, reading lamp, roof hatch and one internal and two external lockers
- Bunk dimensions: 1900 x 605 x 95mm

INSTRUMENTATION

Electronic anti-glare instrument panel.

Gauges: Speedometer, odometer with trip meter, tachometer, water temperature, fuel level, oil pressure and air pressure.

Warning lamps: Power-steering circuit failure, front and rear brake wear, high water temperature, air-cleaner restriction, cab unlatched, low alternator charge, high beam, exterior lights on, hazard warning lights on, low oil pressure, reserve fuel, park brake on, water in pre-filter, brake system failure.

LCD information panel: System diagnostics, lighting system check, area level indicator, programmable maintenance scheduling, digital clock, trip 1&2 computer, fuel consumption indicator, status and driver actuation information and ambient temperature.

IVECO

Your partner for sustainable transport